

RO-RO DECK DRENCHER SYSTEMS

Marsis provides drencher system for open RO-RO spaces and closed RO-RO spaces in accordance with IMO MSC Resolution 1430 and/or part authorizes/classification rules.

The aim of the system is to prevent spreading of fire to other fire zone or compartments and also they are intended to prevent the radiant heat from spreading and to cool down surfaces of protected area.

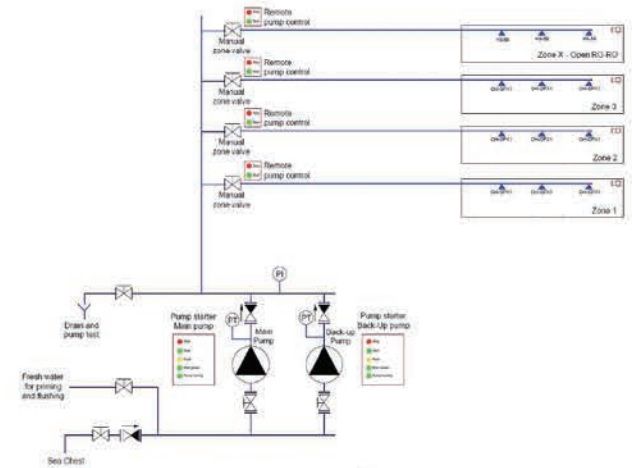
Water Sprinkler Systems

Prescribe based water sprinkler system is used on open RO-RO spaces and closed RO-RO spaces.

Water Mist Systems

Performance based water sprinkler system is used on closed RO-RO spaces.

Drencher system is engineered and manufactured by Marsis. The system is able to deliver with Marine Class Certifications/ Approvals according to customer's demand or request.



MARSİS DIŞ TİCARET VE GEMİ SANAYİ LTD. ŞTİ.

A İstanbul Endüstri ve Ticaret Serbest Bölgesi, Aydınlı SB Mah.

Kodalak Cad. No: 12 34953 Tuzla / İstanbul

T +90 216 394 9237 F +90 216 394 9236 E info@marsis.com.tr W marsis.com.tr



Bilge Foam Water Mist Systems

The bilge foam system is designed and installed to protect engine room bilge with dry pipe design principle according to IMO MSC Circ. 1165 and/or part authorizes/ classification rules.

Automatic Water Mist Systems

The automatic water mist system is designed and installed to protect on accommodation area, control station and service spaces with wet pipe design principle according to IMOMSC Resolution 265(84) and/or part authorizes/classification rules.

Water Mist System is engineered and manufactured by MARSIS. The system is able to deliver with Marine Class Certifications/Approvals according to customer's demand or request.





WATER MIST SYSTEMS

Marsis provides approved low pressure water mist system in accordance with IMO-SOLAS rules.

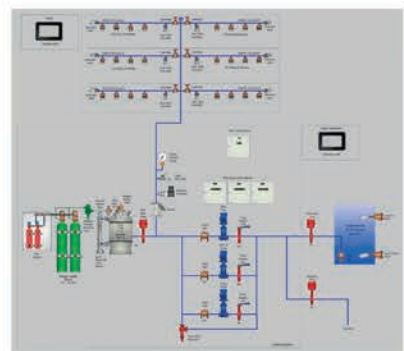
The system is a fixed water based fire protection system that discharges a fine spray of small water droplets. Water mist systems propel water through a specially designed nozzle, breaking the water up into hundreds of micro droplets which produce the mist.

Total Flooding Water Mist Systems

The total flooding system is designed and installed to protect on special category areas, such as engine room, pump room, auxiliary machinery room etc. with dry pipe design principle according to IMO MSC Circ. 1165 and/or part authorizes/ classification rules.

Local Application Water Mist Systems

The local application system is designed and installed to protect on local equipment, such as main engine, aux engine, boiler, incinerator, purifier etc. with dry pipe design principle according to IMO MSC Circ. 1387 and/or part authorizes/classification rules.



FIXED WATER BASED FIRE PROTECTION SYSTEMS



MARSIS